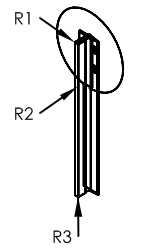
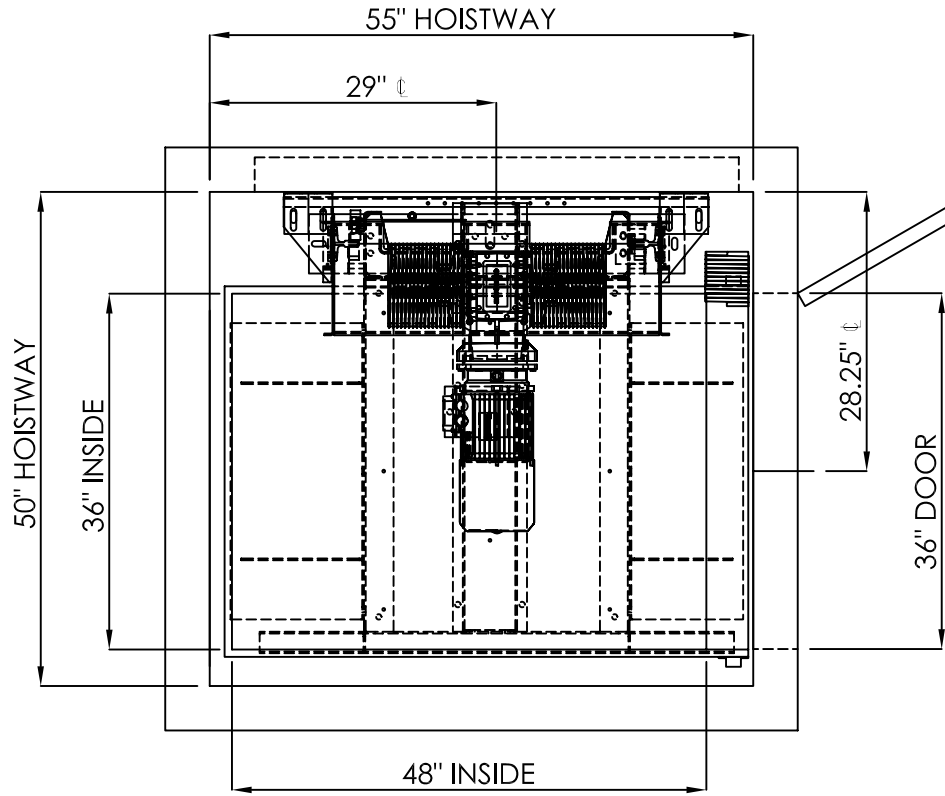
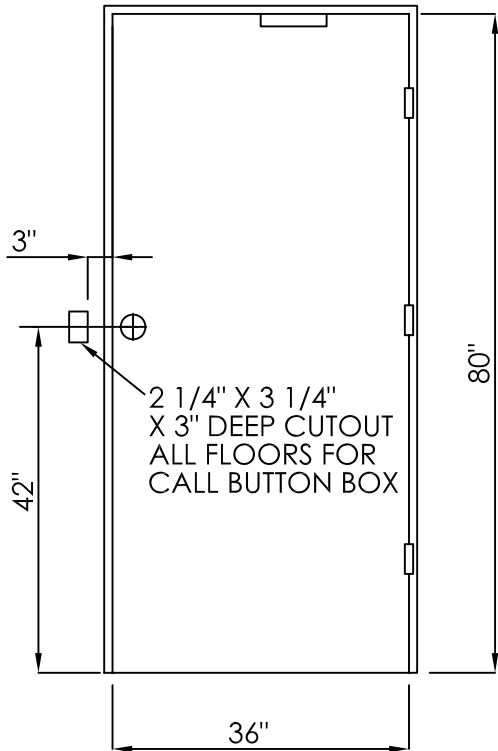
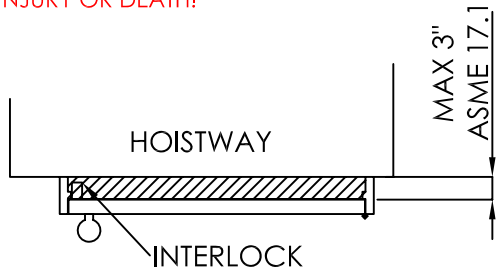


!WARNING!
SPACE BETWEEN DOOR AND HOISTWAY
MUST NOT EXCEED 3"

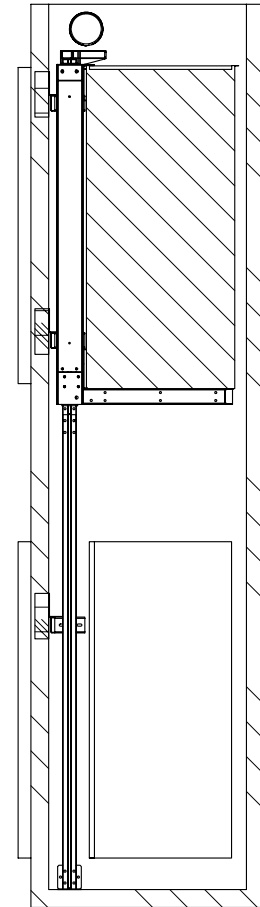
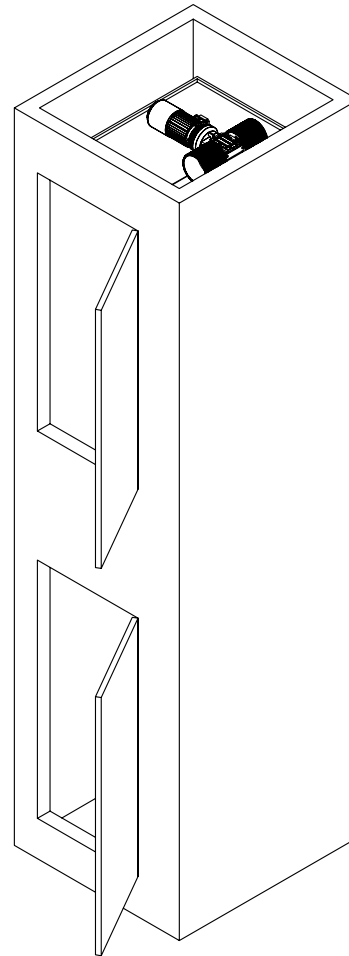
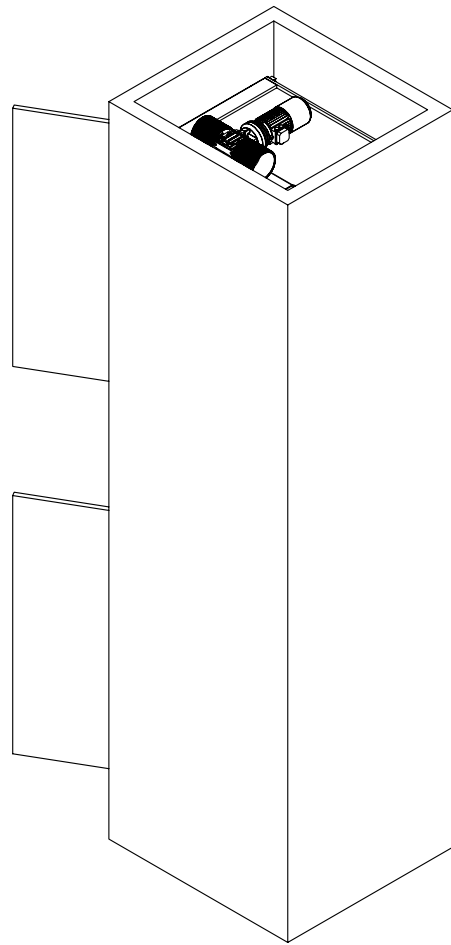
INTERLOCKS CONFORMING TO ASME A17.1
MUST BE INSTALLED AND ADJUSTED PER
THE MANUFACTURER'S INSTRUCTIONS.


**!FAILURE TO COMPLY
MAY RESULT IN SERIOUS
INJURY OR DEATH!**



RAIL WEIGHT: 8 lbs/ft	
RAIL FORCES	
*R1(Fx)	1075 lbs
*R2(Fy)	358 lbs
R3(Fz)	2500 lbs

SIZE	Nationwide Lifts www.elevators.com
A	
PART NO.	P: 888-695-4387 E: info@elevators.com
36 X 48, 1R	
SHEET 1 OF 3	
DESCRIPTION: SWING DOORS, OVERHEAD DRUM	



SIZE	 www.elevators.com P: 888-695-4387 E: info@elevators.com
A	
PART NO.	36 X 48, 1R
	SHEET 3 OF 3
DESCRIPTION:	SWING DOORS, OVERHEAD DRUM